



Which iBypass Belongs in Your Network?

Choosing the Right iBypass

Bypass Switches are in-line devices that provide fail-safe protection for in-line security and monitoring devices, such as an Intrusion Prevention System (IPS), Web Application Firewalls (WAFs), and many others.

Ixia offers a wide array of different iBypass switch products that handle different high availability features, speeds, and media types. If you are looking to deploy any tools inline please read on to find the right iBypass product for your deployment.

Threats that require the installation, redeployment or upgrade of in-Line IPS appliances often affect uptime on business critical links. Organizations demand inline security solutions that prevent disruptive outages and provide an efficient return on investment for their IPS resources.

To determine which model is ideal for your network the following should be answered while reviewing the table below:

Is High Availability required?

On multi-segment models of Ixia Bypass Switches, several high availability options guarantee network uptime and security. Bypass switches can failover to a redundant tool, or send traffic serially through several tools.

Examples of high availability:

- Active-Standby = Single active tool with redundant tool connections through the iBypass (figure 1)
- Active-Active = Multiple tools connected serially through the iBypass (figure 2)

Ixia options: iBypass HD , iBypass 40-10

What is the speed of network or networks this device will be deployed in?

Network speeds (line-rate) can range from 100Mbps to 100Gbps. Ixia bypass switches cover that range:

40Gbps: iBypass 40G

10Gbps: iBypass 40-10, iBypass 10G

10/100/1000Mbps (1GbE): iBypass HD, iBypass 3/2, iBypass 1G, iBypass Copper

Do you need copper or fiber network ports?

Network media is either copper or fiber. Ixia bypass switches have both:

Copper: iBypass HD, iBypass Copper, iBypass 3/2

Fiber: iBypass HD, iBypass 40-10, iBypass 40G, iBypass 10G, iBypass 1G,

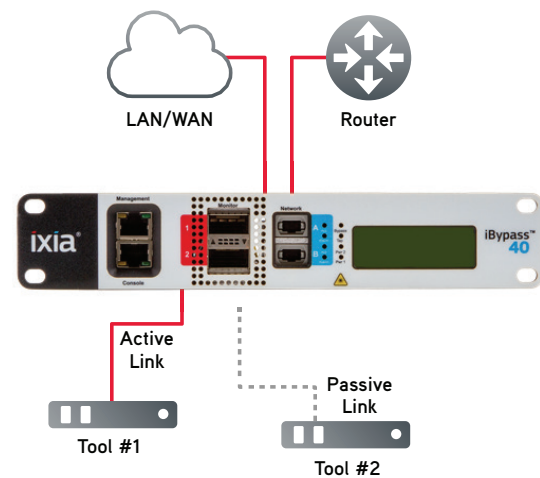


Figure 1: HA in Active - Standby Mode

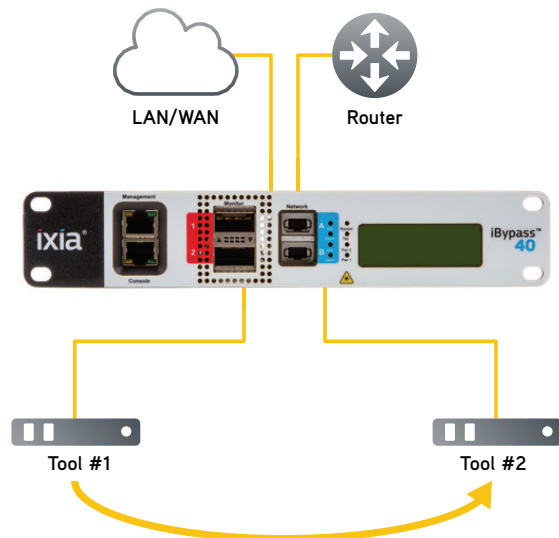


Figure 2: HA in Active - Active Mode
Availability is guaranteed, no matter which tools or network segments fail.

Ixia iBypass Switches

The product matrix table below indicates the key feature that differentiate each of the different iBypass products.

iBypass	HA Support	# of Segments	Speed	Network Media Type	Device Mgmt	Part Number(s)
iBypass HD	Yes	8	10/100/1000Mbps 1Gbps	Copper, Fiber (SX & LX)	HTTPs, SSH, SNMPv3, Local CLI	IBP-8000/IBP- 8000-DC w/ DBM-100, DBM-200, DBM-250, DBM-300
iBypass 40-10	Yes	4	10Gbps	Fiber (SR & LR)	HTTPs, SSH, SNMPv3, Local CLI	I2BP-4X10-SR-50- QSFP I2BP-4X10-LR-85- QSFP
iBypass 40G	No	1	40Gbps	Fiber (SR4)	HTTPs, SSH, SNMPv3, Local CLI	I2BP-40-SR-50- QSFP
iBypass 3	No	1	10/100/1000Mbps	Copper	HTTPs, SSH, SNMPv3, Local CLI	I3BP-CU3
iBypass 10G	No	1	10Gbps	Fiber (SR & LR)	HTTP, SNMPv1, Local CLI	IBPO-HB50SR-XFP IBPO-HBLR-XFP IBPO-HBSR-XFP
iBypass 2	No	1	10/100/1000Mbps	Copper	HTTPs, SSH, SNMPv3, Local CLI	I2BP-CU3
iBypass 1G	No	1	1Gbps	Fiber (SX & LX)	HTTP, SNMPv1, Local CLI	IBPO-HB50SX-SFP IBPO-HBLX-SFP IBPO-HBSX-SFP
iBypass Copper	No	1	10/100/1000Mbps	Copper	HTTP, SNMPv1, Local CLI	IBP-HBCU3

For more detailed information on Ixia iBypass switches, go to our website: <http://www.ixiacom.com/products/net-optics-bypass-switches>

Ixia Worldwide Headquarters

26601 Agoura Rd.
Calabasas, CA 91302

(Toll Free North America)
1.877.367.4942

(Outside North America)
+1.818.871.1800
(Fax) 818.871.1805
www.ixiacom.com

Ixia European Headquarters

Ixia Technologies Europe Ltd
Clarion House, Norreys Drive
Maidenhead SL6 4FL
United Kingdom

Sales +44 1628 408750
(Fax) +44 1628 639916

Ixia Asia Pacific Headquarters

101 Thomson Road,
#29-04/05 United Square,
Singapore 307591

Sales +65.6332.0125
Fax +65.6332.0127