

Major European Mobile Telephony Provider Chooses Net Optics Director™ over SPAN to Lower Deployment Costs and Gain Always-On Access to Critical Network Links

Provider Needed a Scalable, Cost-Efficient Solution to Support QoS and Compliance Challenges as It Grew



Director Monitoring Access Switch

Industry:

Telecommunications

Objectives:

- Lower costs
- Provide sufficient ports for monitoring and scalability
- Optimize mobile QoS monitoring
- Comply with regulations

Approach:

- Deploy Net Optics Director solution
- Avoid using multiple expensive probes
- Enable filtering, aggregation and always-on monitoring

Business Improvements:

- Addressed compliance regulations
- Optimized Mobile QoS monitoring
- Saved 35% on deployment costs
- Gained peace of mind, with a passive, fail safe, always-on monitoring.
- Provided a scalable network solution allowing for growth



Growing Need to Ensure High Quality of Service in Mobile Network

This European mobile telephony company offers a comprehensive range of communication services throughout its region. In addition to mobile, the company provides Internet communications services.

Under regional laws, the company is required to monitor all mobile traffic traversing the network. So the rapidly growing company sought a solution that would allow them to address compliance laws and conduct mobile QoS monitoring. The network team was under tight deadlines and intense pressure from executive management to find an efficient, cost-effective and scalable solution.

The Drawbacks of SPAN Ports

When the network team evaluated a SPAN port strategy, they quickly realized that it was too expensive, considering that some links had low utilization and carried traffic of relatively small importance to the tools. Moreover, not enough SPAN ports were available for all of the required tools to be connected. SPAN ports add the potential for dropping packets as well; yet another drawback was SPAN's inability to filter and show custom-specific IP addresses.

Director Solves the Challenge

This mobile provider chose to deploy a solution based on the Director Network Packet Broker (NPB) and Monitoring Access switch. This decision has provided a substantial number of key benefits, including total visibility into the mobile telephony environment.

Director enabled the customer to monitor multiple 1 GigE links, with traffic aggregated from a large number of inputs to a small number of outputs to the company's existing high-value monitoring tools. This approach resulted in considerable cost savings whilst maintaining full visibility across the environment.

Using Director also gave this customer more flexible, centralized control and monitoring of all traffic streams, supporting its QoS efforts and meeting compliance requirements. Director boosts network performance and scalability, thanks to the ability to share tools and data access among groups without contention. By maximizing utilization of existing monitoring tools, the solution raised cost-efficiency substantially for this provider.

"We saw that Net Optics Director could help us meet all of our QoS and compliance issues while saving us 35% on costs, compared to other solutions. So we had no doubt about choosing Net Optics to secure our network."

— Customer Network Architect

Director Filters Traffic to Specific Monitoring Tools

Net Optics Director's customizable filters allow forwarding to each tool only data of interest that the tool needs to see. With traffic aggregated from many sources, Director provides the ability to track the source of forwarded traffic by both tagging the traffic with the ingress port number and identifying which filter directed the traffic to an individual tool. This enables cost-effectiveness and efficiency by maximizing utilization of existing monitoring tools.

Director's Double Your Ports feature, wherein each fiber SFP port can handle 1G/10G input and output simultaneously, gave the organization greater port density for current tools, as well as the option to scale for future network growth.

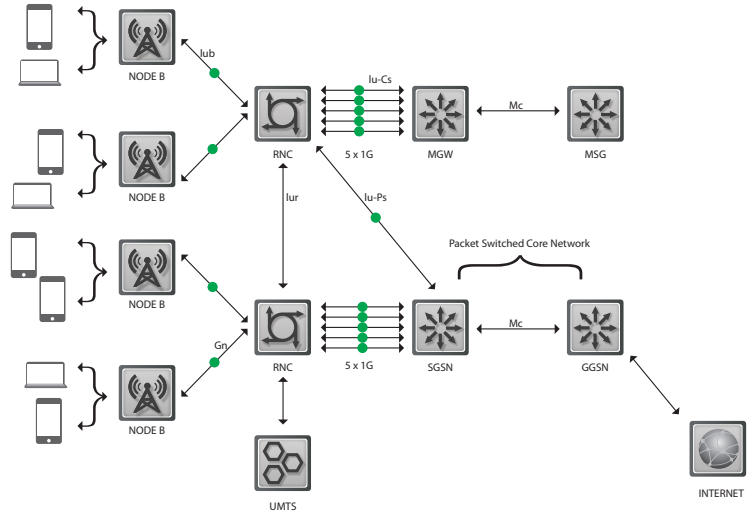
The Director solution provides the additional benefit of allowing for filters to be configured. Only relevant traffic is sent to the appropriate monitoring tools, making a more flexible and efficient monitoring solution. Installing Director in-line avoided the need to implement multiple SPAN ports on the existing switching infrastructure. Configuring a SPAN port on a production switch carries risk—which can even result in network outages. However, using Director eliminates the need for configuration changes, helping to ensure that the network will remain available.

The Director deployment provides a full, 24/7 fail-safe, passive solution with no performance implications to underlying network traffic. This approach mitigates any risk involved with the alternative SPAN-based multi-probe solution.

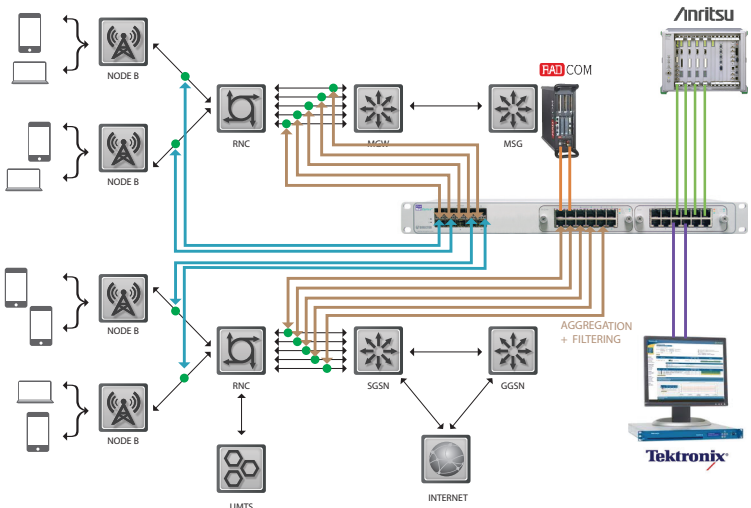
This customer chose the Director 7400 model, which also allows for monitoring and aggregation of both copper and fiber connections, and at the same time provides total flexibility when connecting current and future network technologies.

The highly scalable Director's high port density provides the ability to meet current requirements as well as preparing the network and its monitoring capacity for future growth. Additional tools, such as external auditing tools, can simply be connected to the Director as needed. All of these features plus costs savings calculated at 35 percent made Net Optics Director the obvious choice of the decision-makers for this mobile service provider network.

Before: The SPAN implementation does not provide sufficient available ports for connecting all required tools. There is also potential for dropped packets, compounded by security and cost issues, low link utilization, and traffic of low importance sent to the tools.



After: High port density means numerous ports are available for current tools, with robust scaling options. Each fiber SFP port handles 1G/10G input and output at the same time. Customizable filters assure that only relevant data is forwarded to the tools.



This Case Study was developed in conjunction with NPC. NPC is a leading global value added distributor specialized in Network TAP's, Network Packet Broker industry, IT Security, Application-Aware Network Performance Management and Network Monitoring. Visit www.np-channel.com for more information or send us an email to netoptics@np-channel.com.

To learn more, visit www.netoptics.com

Corporate Headquarters
 Net Optics, Inc.
 5303 Betsy Ross Drive
 Santa Clara, CA 95054
 Phone: 408-737-7777

Net Optics® is a registered trademark, and Director is a trademark of Net Optics, Inc. Copyright 1996-2013 Net Optics, Inc. All rights reserved. Additional company and product names may be trademarks or registered trademarks of the individual companies and are respectfully acknowledged. Net Optics, Inc. reserves the right to make changes in specifications and other information contained in this document without prior notice.