

Global Leader in Financial Information Systems Chooses Net Optics® Director™ Switch to Centralize and Expand Network Monitoring

As a Major Enterprise Occupies New Floorspace, Director Delivers Robust, Scalable Access and Visibility

Net Optics Director Data Monitoring Switch



Industry:
Financial Information

Approach:
Provide passive access and centralize the management of network traffic monitoring.

Objective:
Use Net Optics Director Data Monitoring Switch to enable visibility and centralize monitoring management

Technology Improvements:

- Enable total traffic visibility without introducing a point of failure
- Improve efficiency of network and monitoring tools for performance and troubleshooting
- Provide centralized management of business-critical traffic

Project Outcomes:

- Helped enable network expansion and enhanced functionality
- Provided comprehensive monitoring access to network activity
- Minimized costs through improved tool utilization



A recognized leader and innovator in delivering financial software, news and data around the world planned a significant expansion to occupy several floors of newly acquired office space. As of 2008, the Company employed 10,000 people worldwide, with 2007 revenues exceeding US\$5.4 billion.

The Company’s main offering is a unique terminal that provides key financial software tools to global organizations. These tools consist of an analytics and equity trading platform, data services, and up-to-the-minute news. The Company also encompasses a global news service spanning television, radio, the Internet and printed publications. The ability to monitor network activity is vital, enabling the Company to protect confidential proprietary information, play a leading role in the marketplace, fulfill member expectations and grow its subscriber base.

To monitor network activity, the Company needs non-intrusive visibility into the network. As the network expands, it calls for a monitoring management solution of the utmost high performance and scalability, as well as uncompromising availability, cost efficiency and long-term investment value.

Expansion to New Floors Poses Multiple Challenges: Monitoring, Access, Visibility and Maintenance

A major goal of the Company’s expansion was to enhance its ability to meet customer needs in a dynamic marketplace. In line with that goal, the company acquired additional floors in its commercial building. However, this growth mandated concurrent scaling in network scope, along with the ability to monitor the network links on each new floor.

The expanded company footprint also demanded a greater ability to maintain the health, security, and performance of its network, as well as troubleshoot and solve potential issues. The company had several priorities in addressing these concerns.

For cost-efficiency and to minimize new capital investment, the Company wanted to optimize its existing tool set in such areas as monitoring network utilization, responding to problems, and maintaining security. The Company sought a simplified solution that could provide comprehensive access to network links and manage high-volume traffic.

One Vendor Met the Criteria

Because of the intense demands of its marketplace, the Financial Company needed a vendor that could deliver a total, scalable solution backed by proven customer service. Additionally, the Company sought experience, leadership, and reliability, plus leading-edge technology that could handle the intense demands of monitoring a large network. “We had used Net Optics fiber Taps before and received good support and reliability,” said a Company spokesperson. “Therefore, Net Optics was actually an easy choice for our expansion.” The Company chose a solution based on Net Optics’ industry-proven Director Data Monitoring Switch.

Net Optics Director Expands Network Monitoring for a Financial Information Powerhouse

To meet its diverse needs, the Company needed a monitoring solution that could:

- Simplify and consolidate management
- Centralize administration of the monitoring process
- Maximize tool efficiency
- Provide 100 percent visibility into communications among various work groups and VLANs on multiple floors.
- Maximize investment in current and future tools
- Enable access to see network utilization and monitor performance
- Support troubleshooting devices such as sniffers
- Provide access to security devices such as Intrusion Detection Systems

Net Optics Director was an ideal fit for these challenges. With its ability to aggregate, regenerate, switch and filter data streams from many points, Director offered the robust functionality and scalability that the Company was seeking.

A Robust Solution Benefits a Financial Industry Leader

Net Optics Director is engineered for the intense demands of an online financial information clearinghouse. The Company generates an extremely high volume of traffic, moving business-critical data across the network seven days a week, 24 hours a day. Director, with its support for 10 1Gig monitoring tools, 24 Span network links or 12 passive in-line links and 4 10 Gig links in a 1U 19-inch rack-mount chassis, is the ideal device to handle this level of activity. Director is also configurable for any-to-any port mapping, while its flexibility to use a single port concurrently as an input and output effectively doubles the number of ports. The Net Optics solution was also the most efficient with respect to rack space and power consumption, and offered the highest density in the industry and the lowest cost per port.

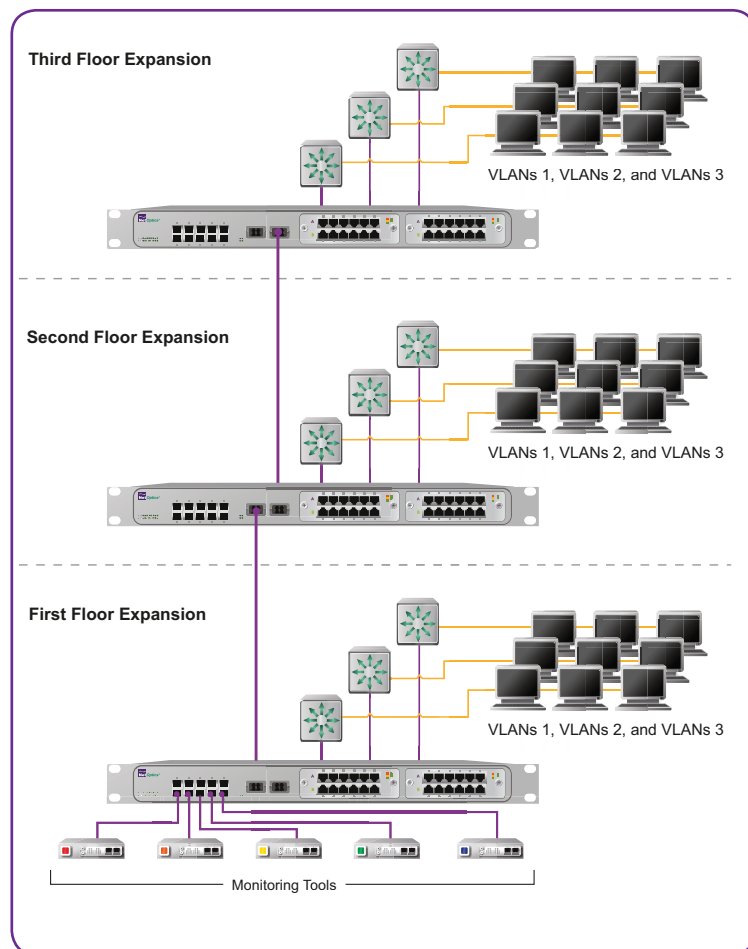
A Successful Implementation Yields Increased Network Coverage

Director was deployed in the wiring closet of each new floor, allowing Net Optics to ensure consistent and reliable business-critical access to the network. The Company was able to achieve wide-network coverage on various segments with only a few tools.

Director's filtering, load balancing, and data rate conversion capabilities enabled the use of older 1G monitoring tools on 10G links, maximizing the ROI of those tools. And the device's scalable design will easily support future growth while maintaining centralized management.

Director also answered the need for more efficient monitoring access and 100 percent visibility by enabling a pool of appliances to be deployed across a large number of network links. The device centralizes control of traffic directed to each appliance, while filtering capabilities streamline the amount of data that the monitoring tools need to process. Raising

efficiency still further, Director gave network administrators the ability to switch streams from various points in the network to different tools on the fly without physically moving cables or tools.



Today, with a robust, scalable solution from Net Optics for consolidating and centralizing management of its traffic monitoring, the Company can focus confidently on its core business.

Corporate Headquarters:

Net Optics, Inc.
5303 Betsy Ross Drive
Santa Clara, CA 95054

Phone: 408-737-7777
www.netoptics.com

Distributed by:

BRAIN FORCE
smart IT for your business

BRAIN FORCE Software
Ohmstr. 12
63225 Langen
Germany

T: +49 6103 906 767
netoptics@brainforce.com
www.network-taps.eu

Net Optics® is a registered trademark of Net Optics, Inc. Copyright 1996-2010 Net Optics, Inc. All rights reserved. Additional company and product names may be trademarks or registered trademarks of the individual companies and are respectfully acknowledged. Net Optics, Inc. reserves the right to make changes in specifications and other information contained in this document without prior notice.