

Overview

The Niagara 3401PT is a 1 Gb single segment passive TAP that supports full duplex, zero packet loss, passive monitoring and is available in single-mode and multi-mode fiber.

The unit performs the tap operation passively in stealth operation and requires no power supply.



Features

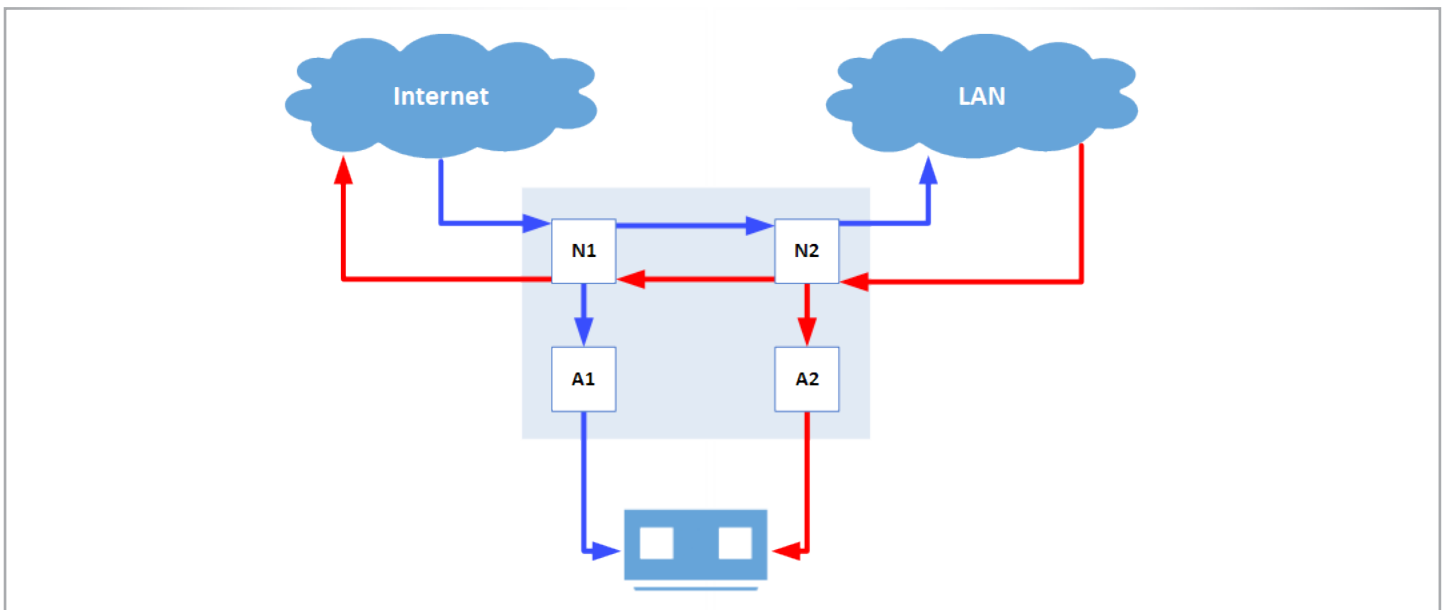
The Optical split ration can be selected from a range of values and is factory configurable as follows:

- 90% Network ports – 10% TAP port
- 80% Network ports – 20% TAP port
- 70% Network ports – 30% TAP port
- 60% Network ports – 40% TAP port
- 50% Network ports – 50% TAP port

System Characteristics

- Supports LC connectors
- Support for SX, LX
- No Power
- 1U Rackmountable chassis

Passive TAP Segment



Environmental

Operating Temperature	0 to 55 °C or 32 to 131 °F
Operating Humidity	5% min, 95% max, non-condensing
Airflow	100 lf/m

Dimensions

	mm	inches
Length	194	7.64
Height	48	1.89
Width	42.49	1.673

Ordering Part Numbers

Part Number	Description
Niagara 3401PT-SR	1 Segment 1Gb Multi-Mode Fiber Passive TAP
Niagara 3401PT-LR	1 Segment 1Gb Single-Mode Fiber Passive TAP
N3401-RM	Rack Mount for 3401PT

Product Line

- Network Interface Cards with Bypass
- Network Interface Cards without Bypass
- External Bypass Products
- SSL/IPSec Cards
- Embedded Switches
- Embedded Platforms
- Development Tools
- TAP Systems

About Interface Masters Technologies, Inc.

[Interface Masters Technologies](#) is a leading vendor in the network monitoring and high speed networking markets. Based in the heart of the Silicon Valley, Interface Masters' expertise lies in Gigabit, 10 Gigabit and 40 Gigabit Ethernet network access and network connectivity solutions that integrate with monitoring systems, inline networking appliances, IPS, UTM, Load Balancing, WAN acceleration, and other mission-critical IT and security appliances.

Flagship product lines include [hardware load-balancers](#), [specialized 10GE internal server adapter cards](#), switches, [10 Gigabit external intelligent Network TAP](#) and [Bypass](#) and [failover](#) systems that increase network visibility capabilities, network reliability and inline appliance availability.

Company Headquarters is located in San Jose, CA with satellite offices in Hong Kong and Europe.



Contact Interface Masters

150 East Brokaw Rd, San Jose, CA 95112
Phone: 408-441-9341 x122
Fax: 815-364-0888
Email: sales@interfacemasters.com
Web: www.interfacemasters.com

Interface Masters

TECHNOLOGIES

Innovative Network Solutions